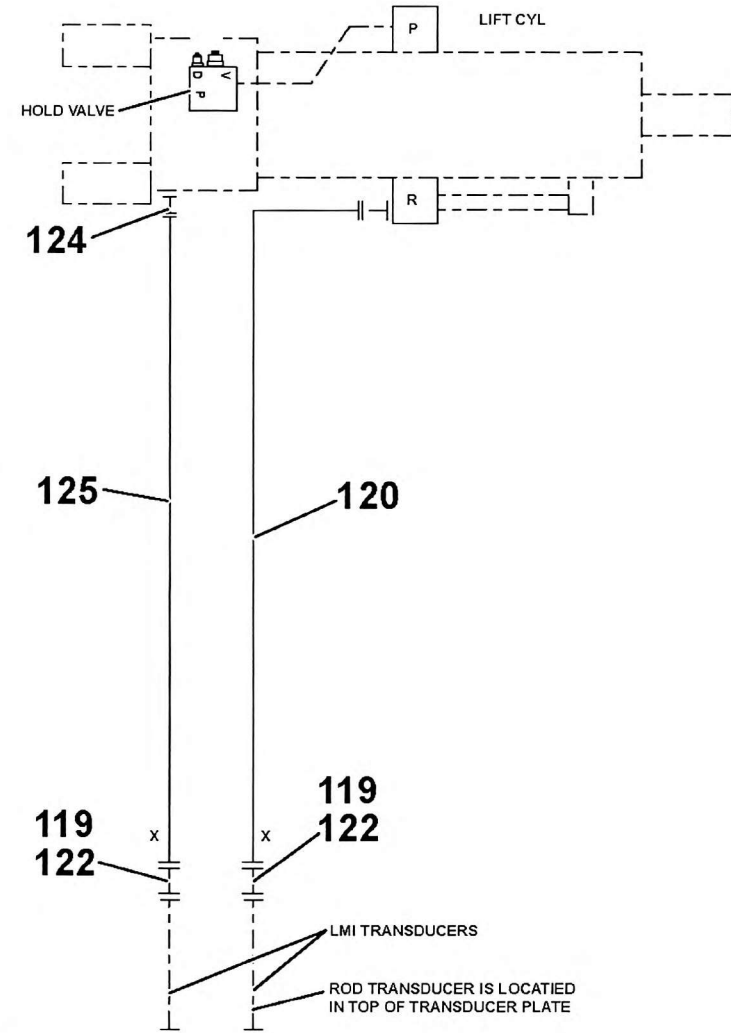
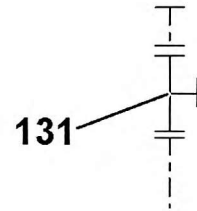
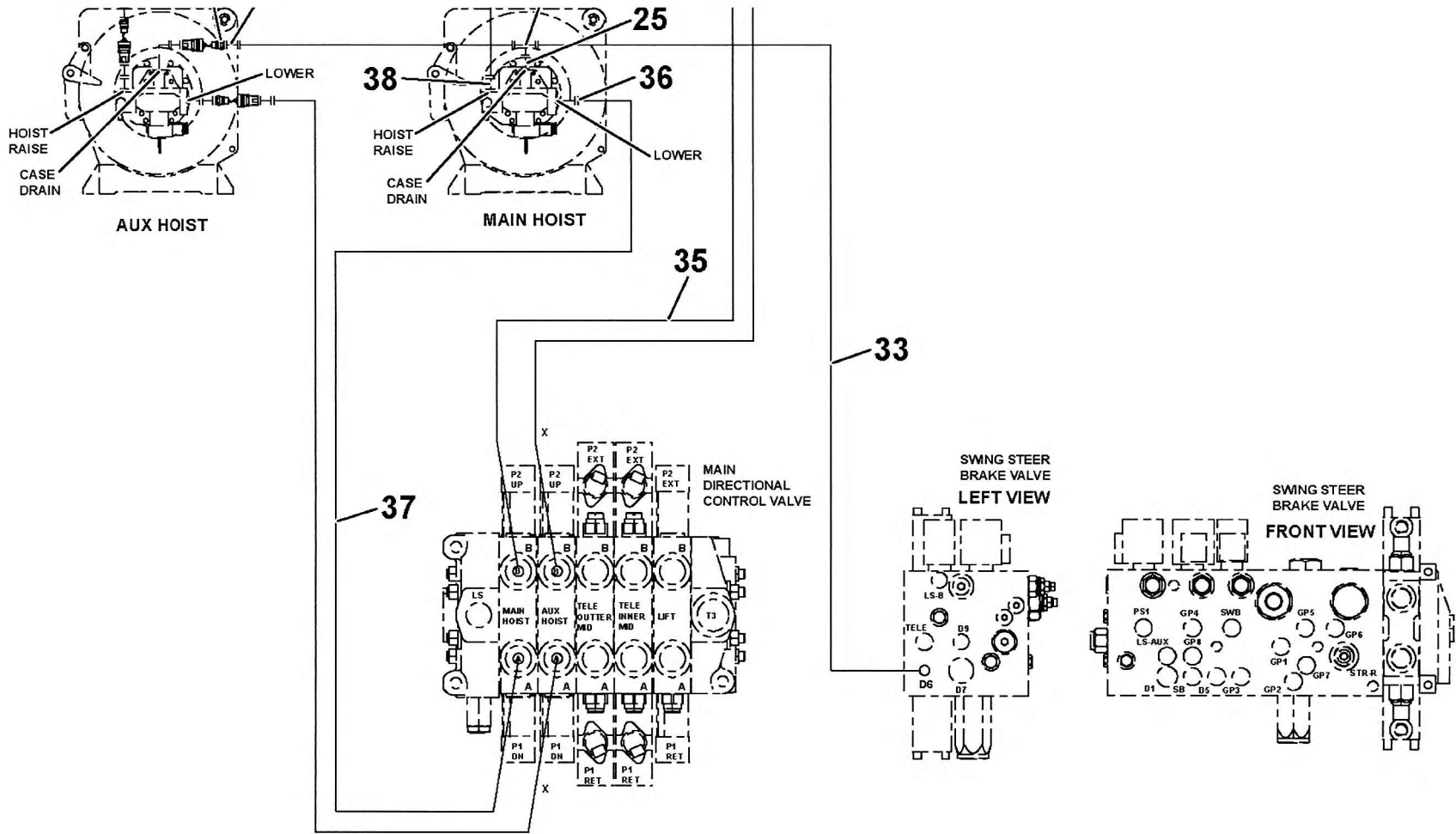


LMI HYD LINES INSTL(FOR CE CONFORMITY)

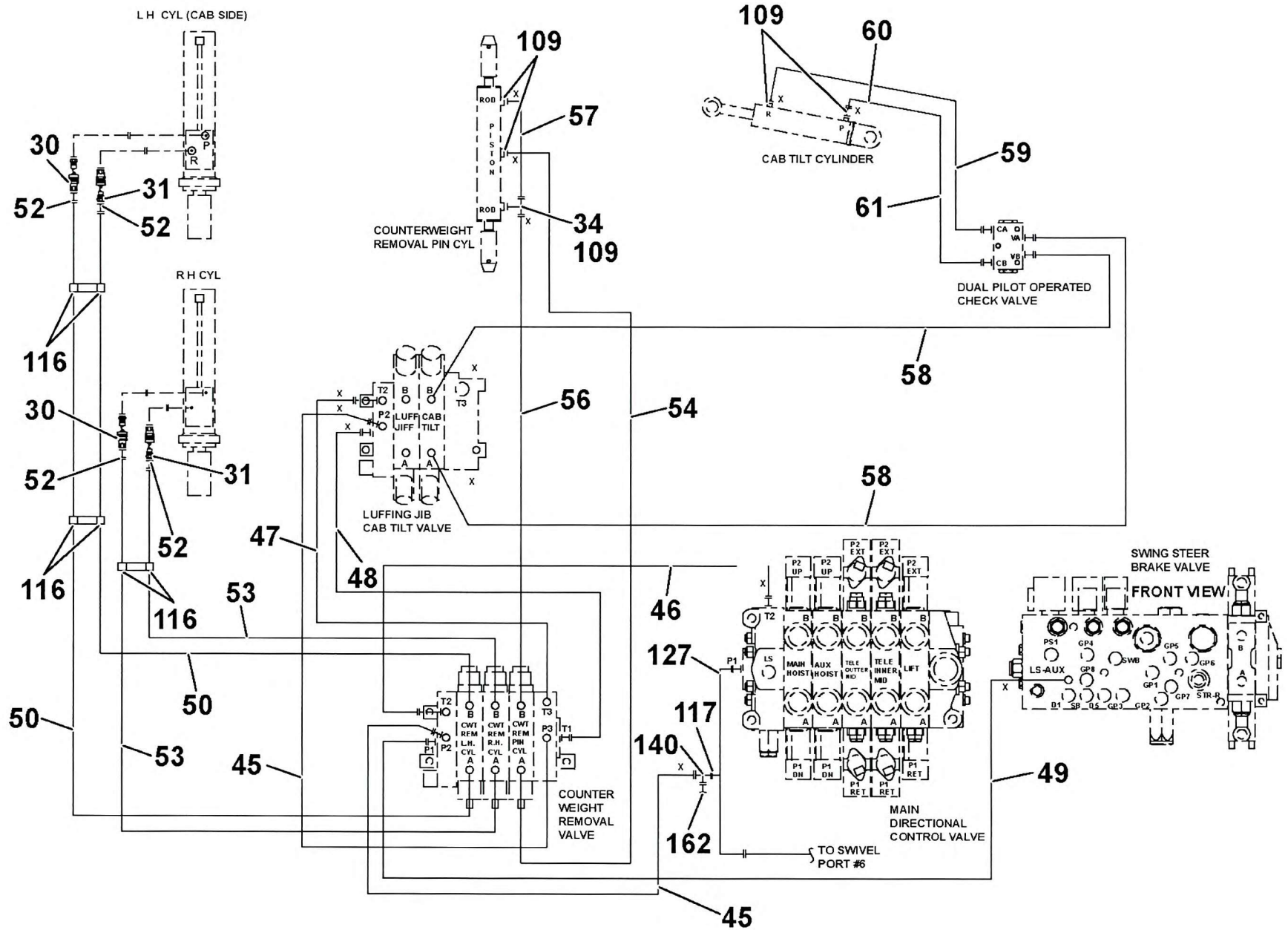


LMI HYD LINES INSTL

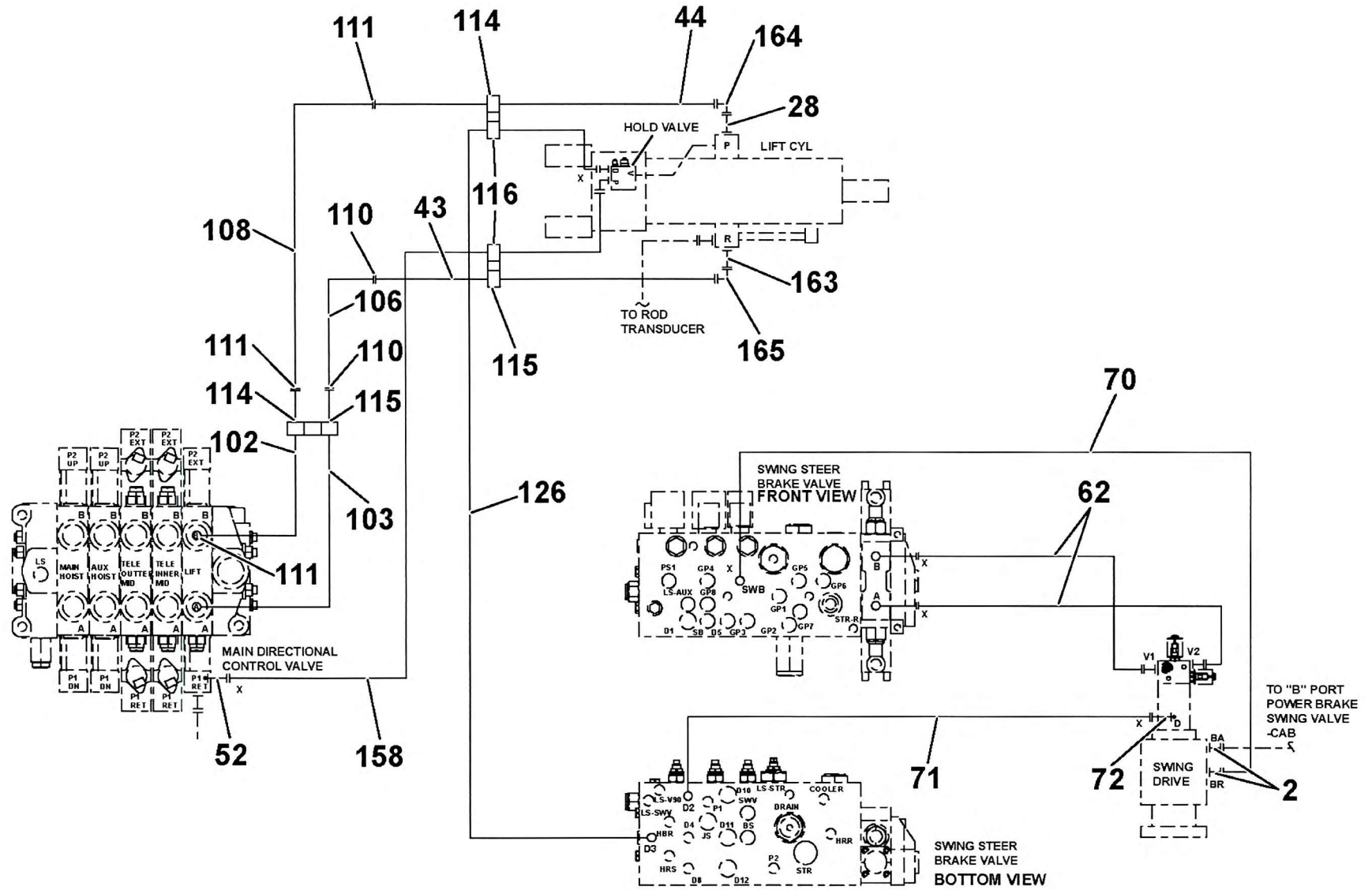




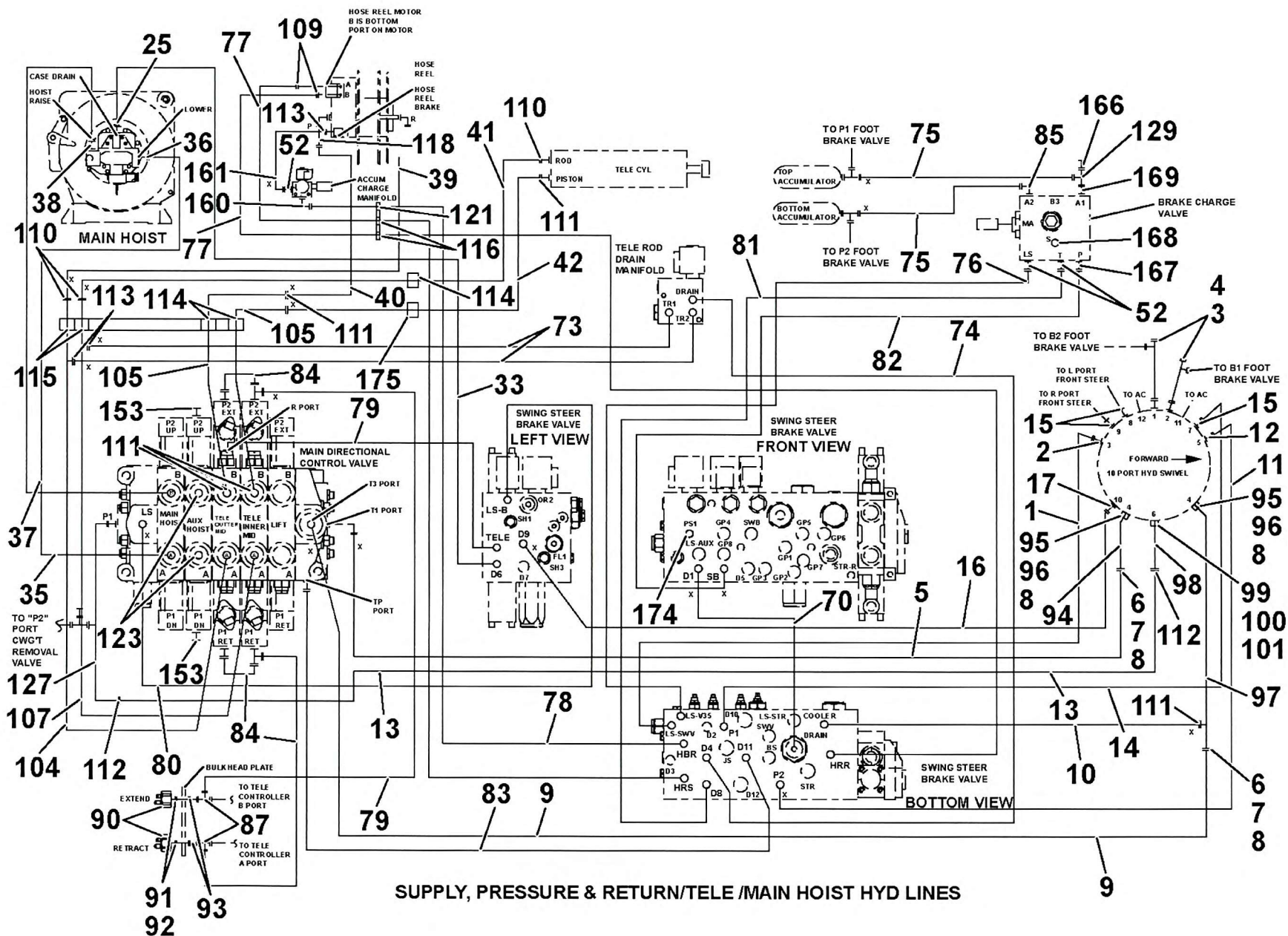
MAIN & AUX HOIST OPTION HYD LINES



COUNTERWEIGHT REMOVAL/CAB TILT HYD LINES



(SHEET 1 OF 5)



SUPPLY, PRESSURE & RETURN/TELE /MAIN HOIST HYD LINES

ITEM NOT SHOWN NBR 139,141,143,145,148,156,157